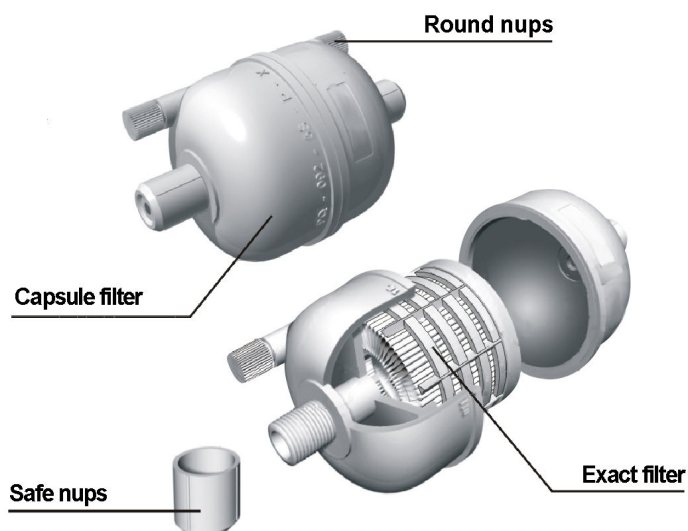


MS[®] Capsule Filter

PP Nylon PTFE PVDF



MS[®] capsule filters are designed for critical, small volume filter applications in the coatings, fine chemicals, pharmaceuticals and microelectronics markets. They contain pleated, absolute-rated, polypropylene filter media providing excellent retention of particles at fast flow rates. The all polypropylene construction offers superior chemical resistance and durability in demanding process applications.



Tel: +98 – (0) 171 224 5727

Fax: +98 – (0) 171 2229505

E-mail: info@membrane-iran.com

Features and Benefits

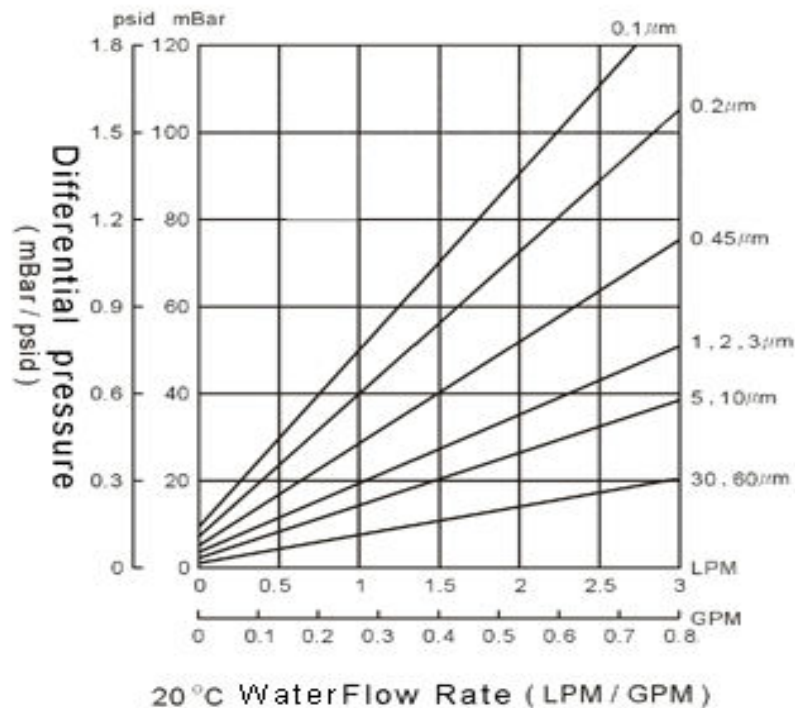
- The shells are made of 100% polypropylene filter media with broad range of solutions,pH and temperature
- The membranes are PP, Nylon, PVDF, PTFE
- welding: thermit welding, adhesives free
- Able to be sterilized by autoclaving with steam at 121 °C for 20 minutes

Application

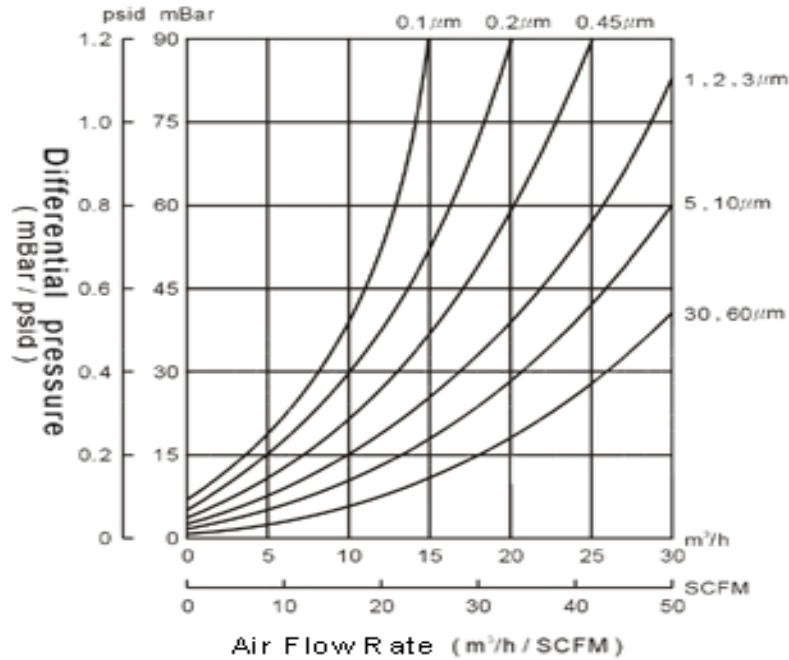
- Healthcare: filter of drug liquid, distilled water, bioscience products, compressed air and other gas.
- Chemical: organic solvent, filter of ink, chemical reagent and electroplating liquid
- Filter liquid and gas for lab use.

Performance

Water Flow Rates



Air Flow Rates



Technical Specifications

Materials of Construction

Housing	Polypropylene
Vent	On inlet
Filter Media	Polypropylene
Support System	Polypropylene

Operating Conditions

Maximum Operation Temperature:

40 °C (104 °F) @ 2.07Bar (30psid)

Maximum Operation Pressure:

Liquid: 5.17Bar (75psid) @ 25°C (77 °F)

Air: 3.45Bar (50psid) @ 25°C (77°F)

Maximum Differential Pressure

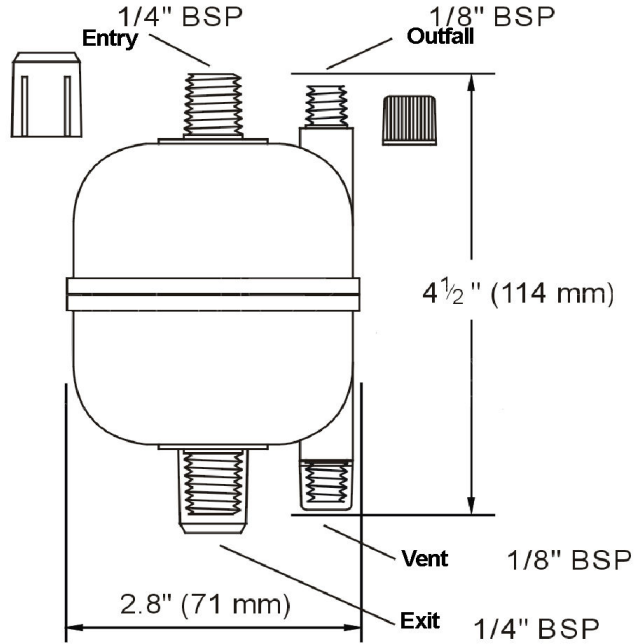
4.14Bar (60psid) @ 25°C (77°F)

Tel: +98 – (0) 171 224 5727

Fax: +98 – (0) 171 2229505

E-mail: info@membrane-iran.com

Dimensional Drawing



Ordering Information

Part #	Microporous Membrane	Length	Pore Size(μm)
CFPP100	PP	4 1/2" (114mm)	100=0.1 200= 0.2 300= 0.3 450=0.45
CFNY650	Nylon		650=0.65 800=0.8 001= 1 002=2
CFPV003	PVDF		003=3 005=5 010=10 020=20
CFPT030	PTFE		030=30 040=40 050=50 060=60

(This is a guide to the part numbering structure only. For availability of specific options, please contact info@membrane-iran.com)