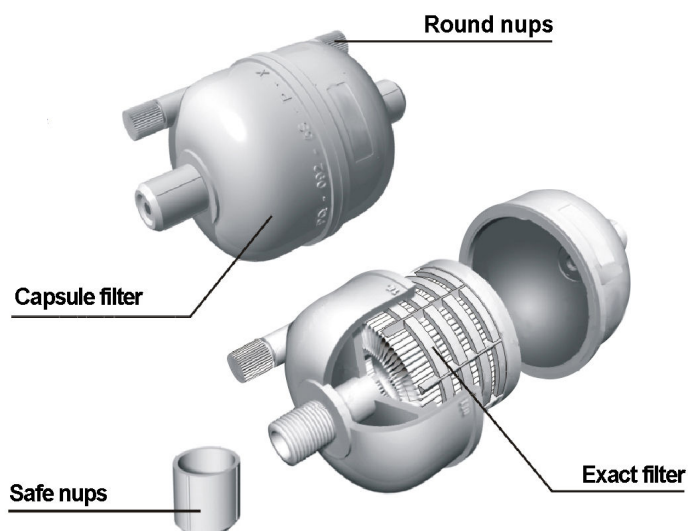


## MS<sup>®</sup> Capsule Filter

PP Nylon PTFE PVDF



MS<sup>®</sup> capsule filters are designed for critical, small volume filter applications in the coatings, fine chemicals, pharmaceuticals and microelectronics markets. They contain pleated, absolute-rated, polypropylene filter media providing excellent retention of particles at fast flow rates. The all polypropylene construction offers superior chemical resistance and durability in demanding process applications.



Tel: +98 – (0) 171 224 5727

Fax: +98 – (0) 171 2229505

E-mail: [info@membrane-iran.com](mailto:info@membrane-iran.com)

## Features and Benefits

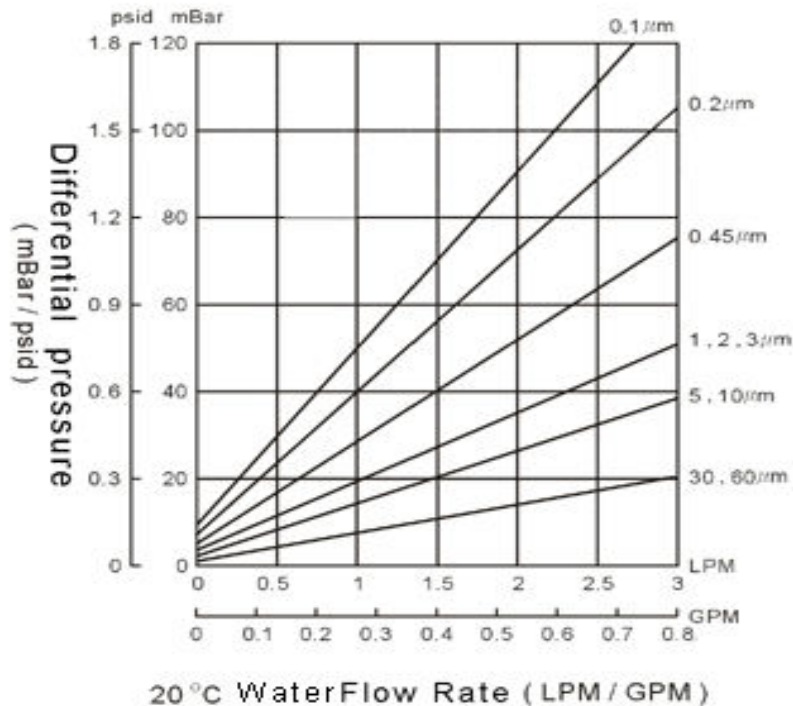
- The shells are made of 100% polypropylene filter media with broad range of solutions,pH and temperature
- The membranes are PP, Nylon, PVDF, PTFE
- welding: thermit welding, adhesives free
- Able to be sterilized by autoclaving with steam at 121 °C for 20 minutes

## Application

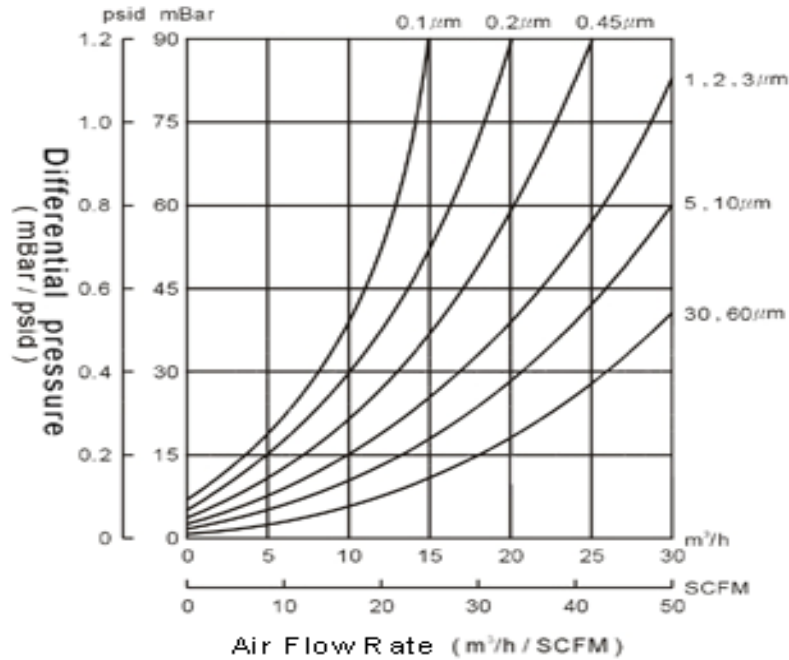
- Healthcare: filter of drug liquid, distilled water, bioscience products, compressed air and other gas.
- Chemical: organic solvent, filter of ink, chemical reagent and electroplating liquid
- Filter liquid and gas for lab use.

## Performance

### Water Flow Rates



### Air Flow Rates



## Technical Specifications

### Materials of Construction

Housing	Polypropylene
Vent	On inlet
Filter Media	Polypropylene
Support System	Polypropylene

### Operating Conditions

Maximum Operation Temperature:

40 °C (104 °F) @ 2.07Bar (30psid)

Maximum Operation Pressure:

Liquid: 5.17Bar (75psid) @ 25°C (77 °F)

Air: 3.45Bar (50psid) @ 25°C (77°F)

Maximum Differential Pressure

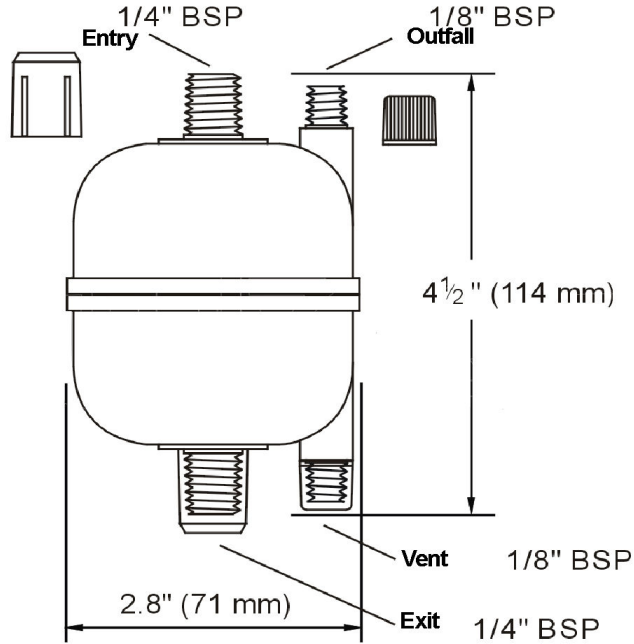
4.14Bar (60psid) @ 25°C (77°F)

Tel: +98 – (0) 171 224 5727

Fax: +98 – (0) 171 2229505

E-mail: info@membrane-iran.com

**Dimensional Drawing**



**Ordering Information**

Part #	Microporous Membrane	Length	Pore Size(μm)
CFPP100	PP	4 1/2" (114mm)	100=0.1 200= 0.2 300= 0.3 450=0.45
CFNY650	Nylon		650=0.65 800=0.8 001= 1 002=2
CFPV003	PVDF		003=3 005=5 010=10 020=20
CFPT030	PTFE		030=30 040=40 050=50 060=60

(This is a guide to the part numbering structure only. For availability of specific options, please contact info@membrane-iran.com)